

feather&black

Perfect Bedtimes

Noah bunk bed assembly instructions

IMPORTANT READ CAREFULLY RETAIN FOR FUTURE REFERENCE

Thank you for buying the Noah Bunk Bed

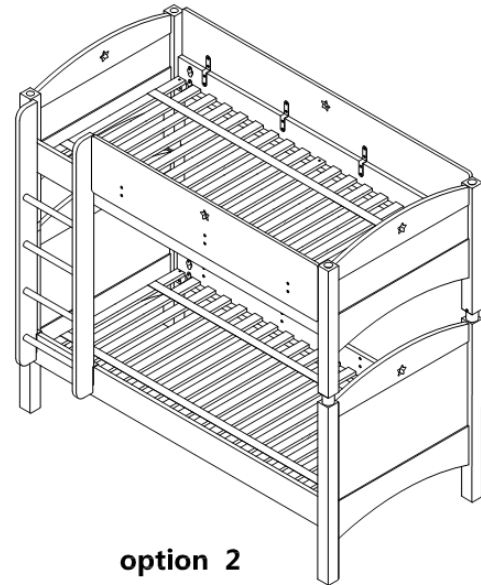
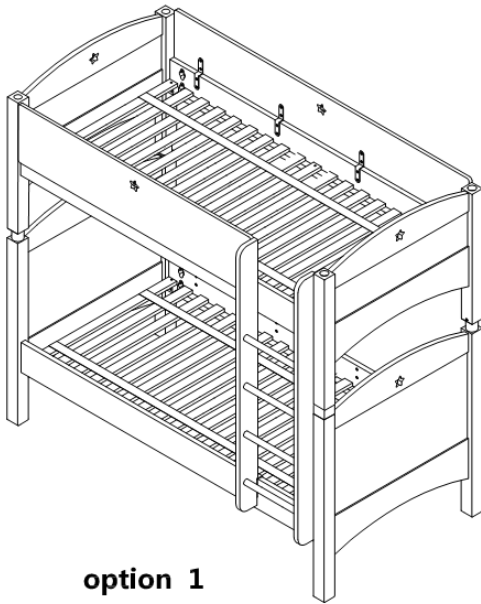
- Please take a few quiet minutes to read these instructions
- It is recommended that this product is assembled by two adults.
- This product contains small parts, keep small children clear of the assembly area
- Lay out the parts on a clean, flat surface and compare with the parts checklist. Save all packaging until assembly is complete to avoid accidentally discarding fittings

PRODUCT SAFETY

- Recommended Mattress Size: 190cm x 90cm. The thickness should not exceed the line marked on the upper end when assembled as a bunk
- Do not allow children to jump on the bunks. Using this furniture other than for its intended purpose could cause damage to the structure or serious injury to your child
- Be aware of the danger of young children (under 6) falling from the upper bunk
- All assembly fastenings should always be tightened properly and care should be taken that no fittings are loose
- Before each usage or assembly, inspect bunk bed for damaged hardware, loose joints, missing parts or sharp edges. Do not use bunk bed if any parts are missing or broken
- Always use the ladder for entering and leaving the upper bunk
- Never attach or hang items to any part of the bunk bed that are not designed for use with the bed
- This product has passed BS EN 747- 1:2012+ A1:2015 & BS EN 747-2:2012+ A1:2015
 - a) **WARNING** "High beds and the upper bed of bunk beds are not suitable for children under six years due to the risk of injury from falls";
 - b) **WARNING** " Bunk beds and high beds can present a serious risk of injury from strangulation if not used correctly . Never attach or hang items to any part of the bunk bed that are not designed to be used with the bed, for example, but not limited to ropes, strings, cords, hooks, belts and bags";
 - c) **WARNING** "Ventilation of the room is necessary in order to keep humidity low and to prevent mould in and around the bed.";
 - d) **WARNING** "Children can become trapped between the bed and the wall, a roof pitch, the ceiling, adjoining pieces of furniture (e.g.cupboards) and the like .To avoid risk of serious injury the distance between the top safety barrier and the adjoining structure shall not exceed 75 mm or shall be more than 230 mm";
 - e) **WARNING** Do not use the bunk bed /high bed if any structural part is broken or missing;
 - f) Always follow the manufacturer's instructions;

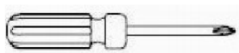
PRODUCT CARE

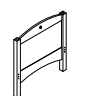



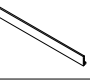


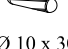





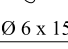

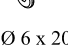
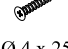
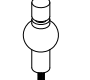

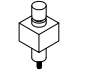
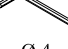
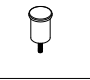

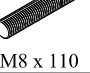
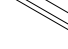
- Wipe clean using a soft damp cloth followed by dry cloth
- Do not use abrasives or cleaning products which may contain ammonia or solvents
- Take Care when handling or moving the furniture. Careless handling can damage furniture, try to lift rather than drag
- TWO options of the Noah BUNK BED can be assembled (as below drawings)



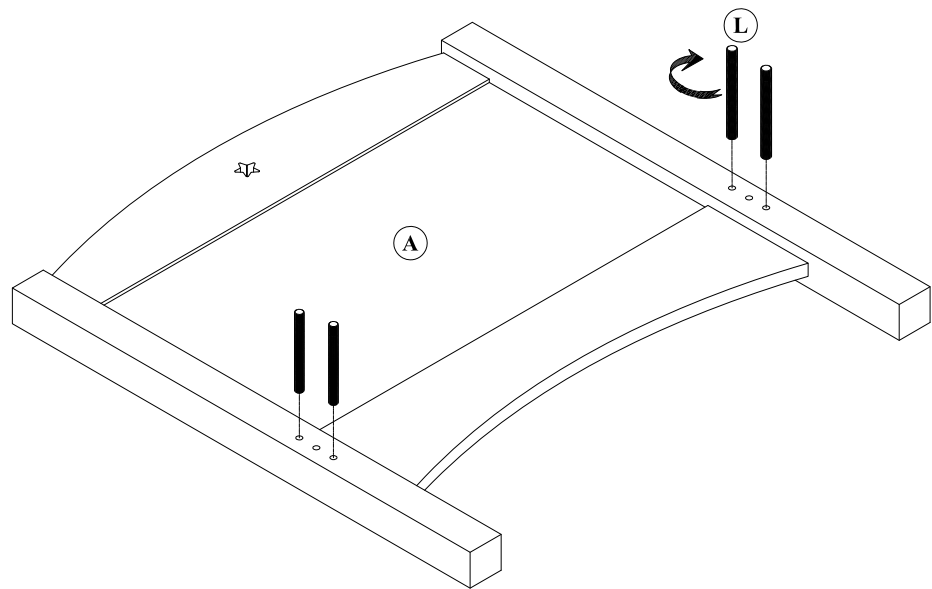
TOOLS REQUIRED

- Please use a phillips Head Screwdriver (not included) and Allen key part W (included) and Spanner part V (included) to assemble the bed stated

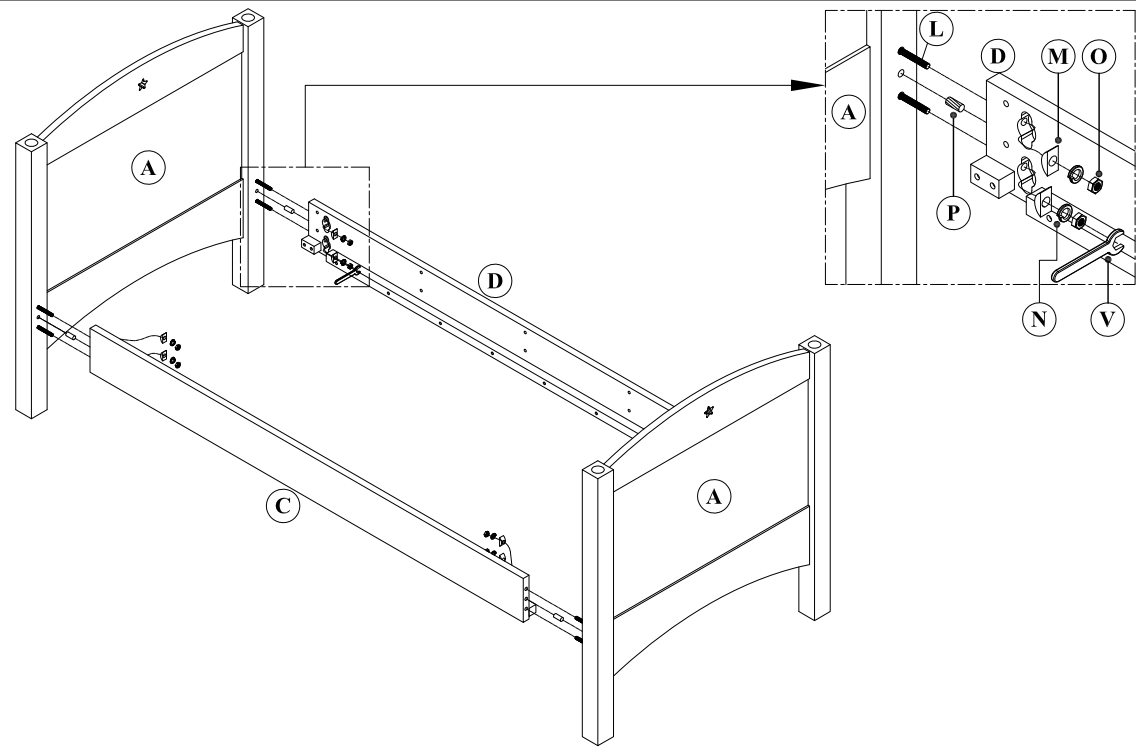


	PARTS	QTY		PARTS	QTY
A		2PCS	M	 Ø 8 x 14 x 28	16PCS
B		2PCS	N	 Ø8	16PCS
C		2PCS	O	 14 x M8 x 6	16PCS
D		2PCS	P	 Ø 10 x 30	8PCS
E		1PC	Q		9PCS
F		1PC	R		4PCS
G		1PC	S	 Ø 6 x 15	48PCS
H	Overall measurement 1882x922x18mm Individual slat measurement 922x50x18mm 	T	 Ø 6 x 20	4PCS	
		U	 Ø 4 x 25	12PCS	
I		3PCS	V	 Ø 13	1PC
J		1PC	W	 Ø 4	1PC
K		4PCS	X	 Ø 6 x 25	2PCS
L	 M8 x 110	16PCS	Y		1PC

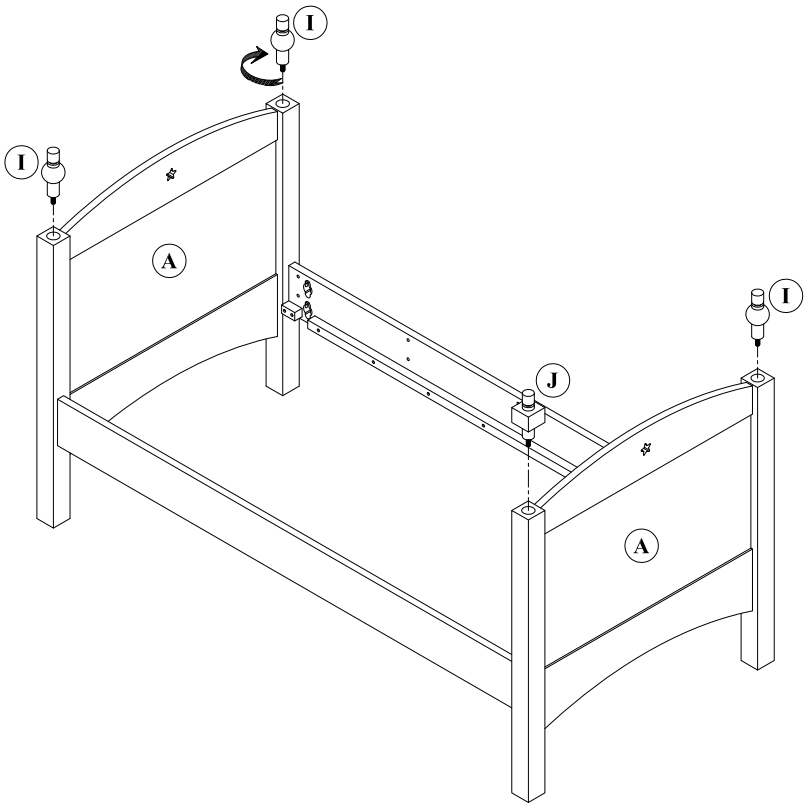
1



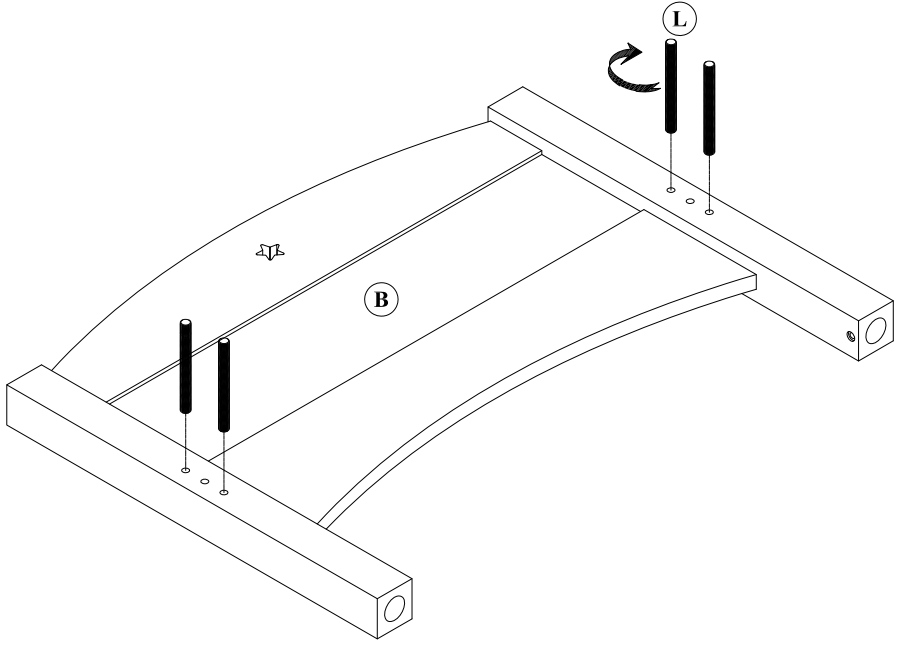
2



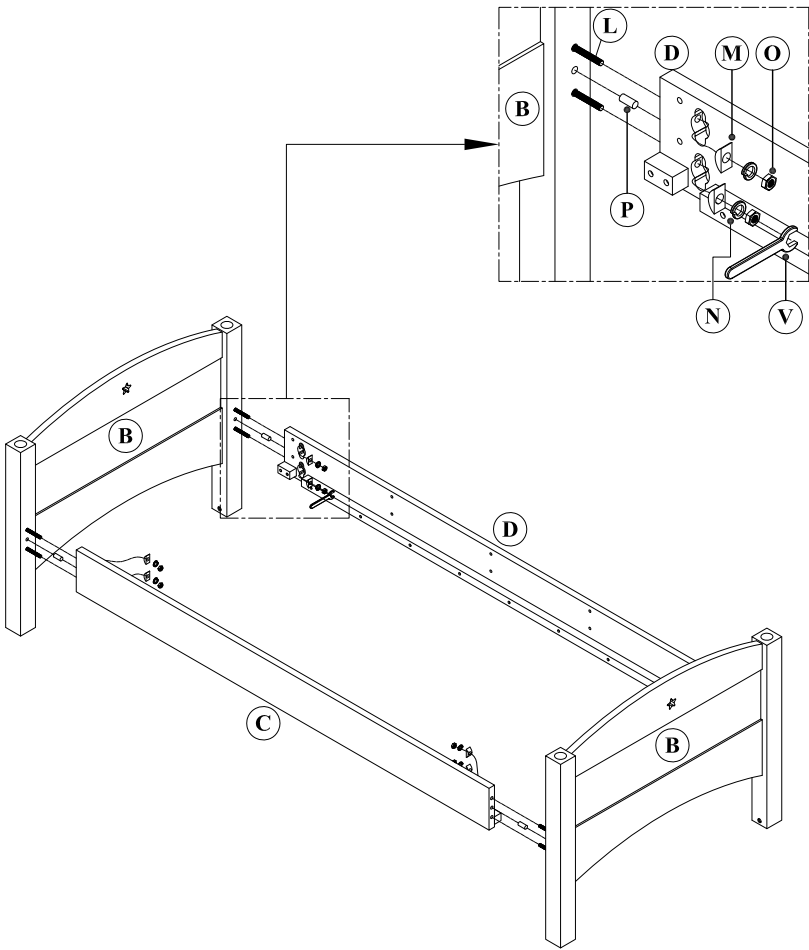
3



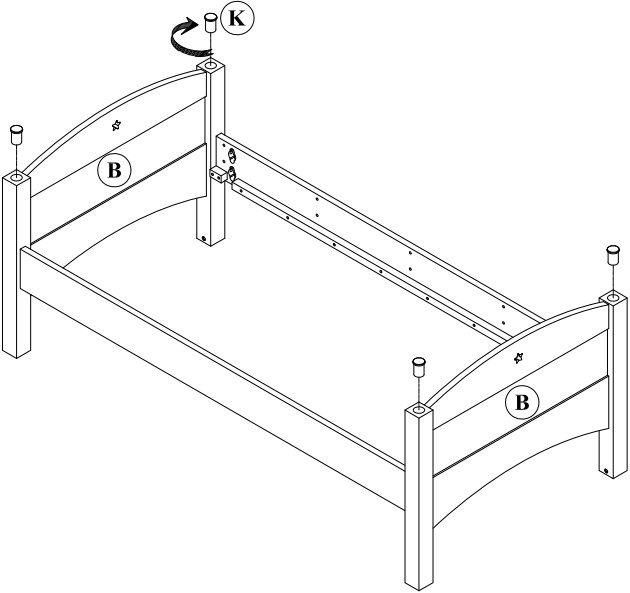
4



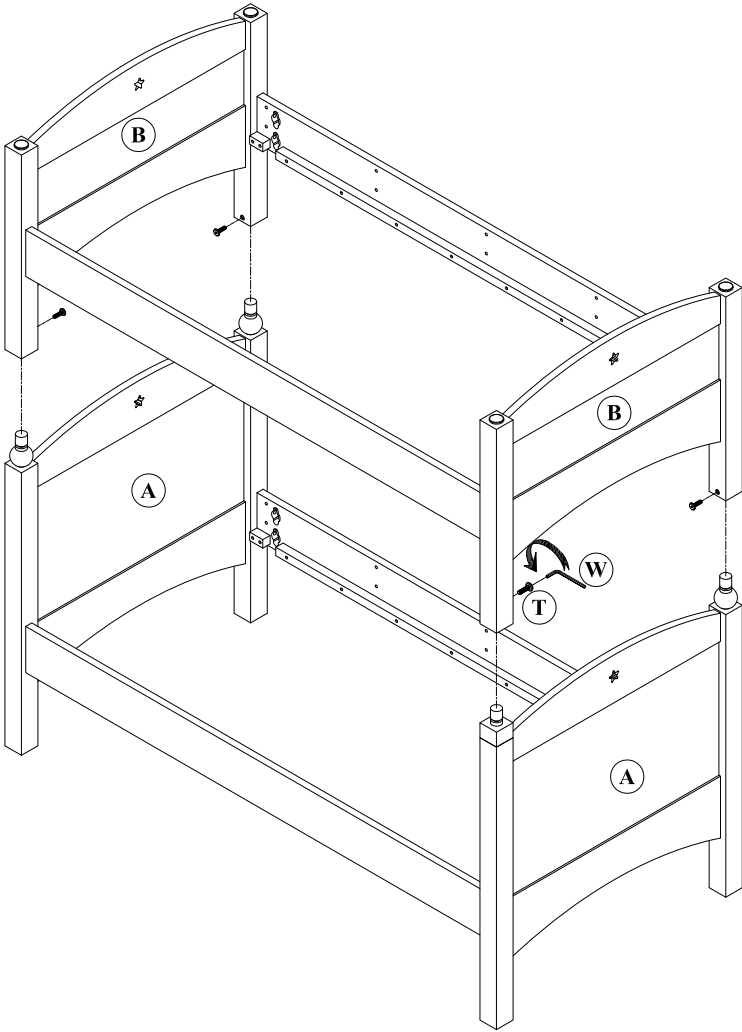
5



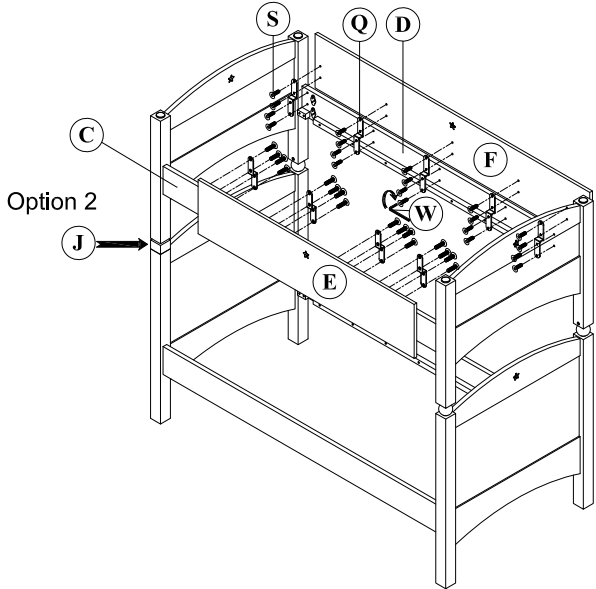
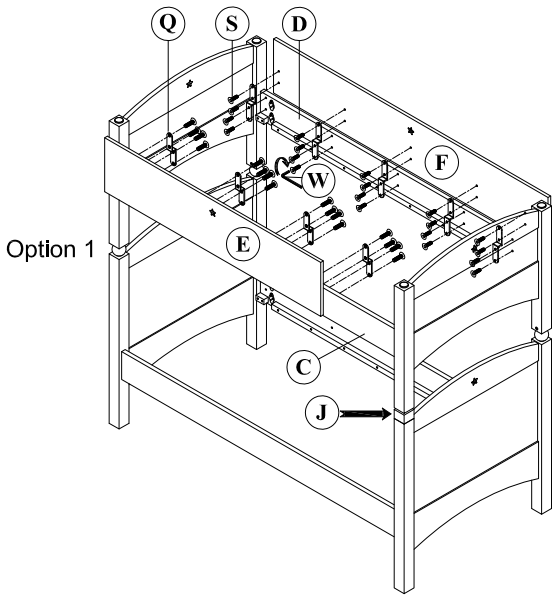
6



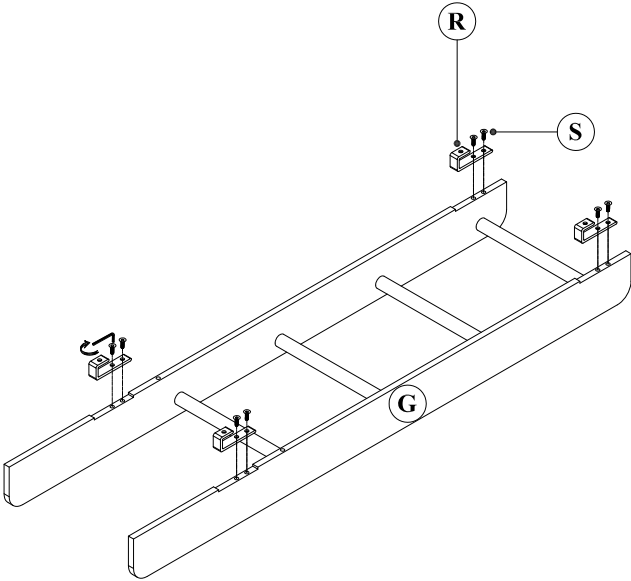
7



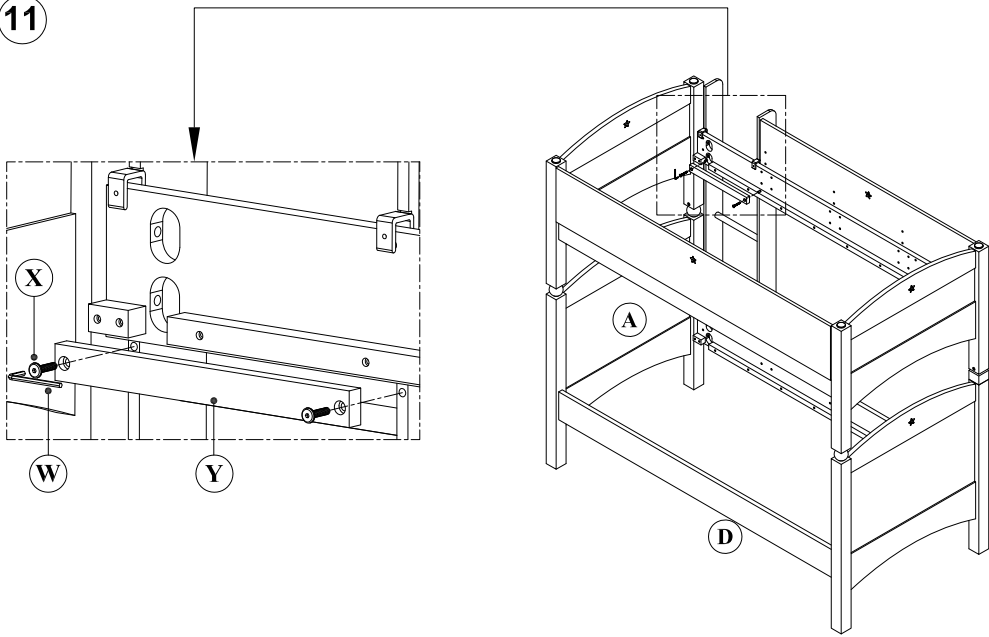
8



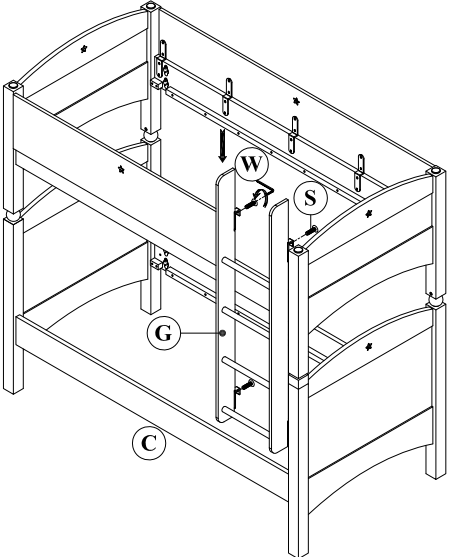
9



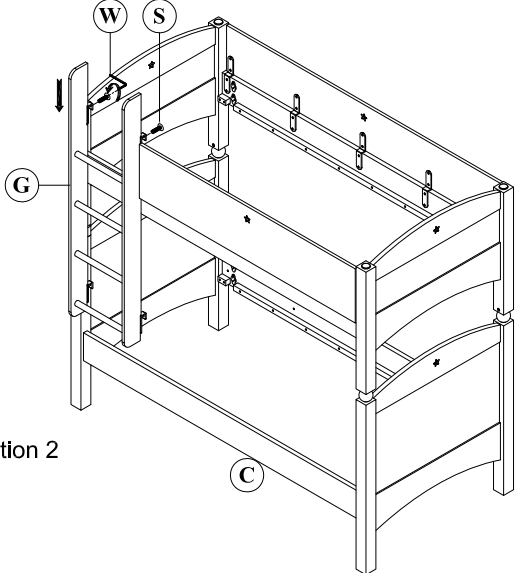
11



10

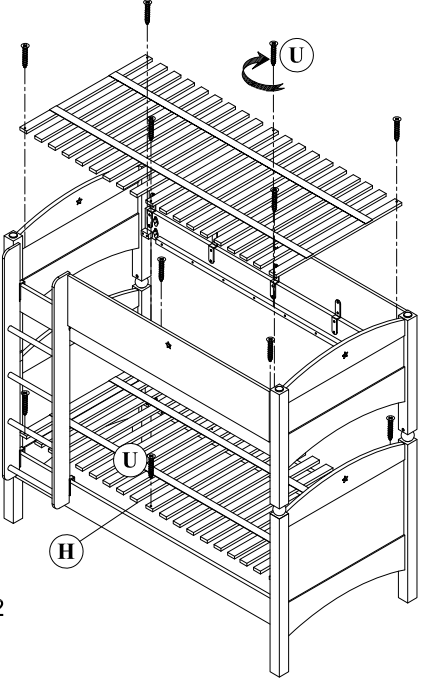
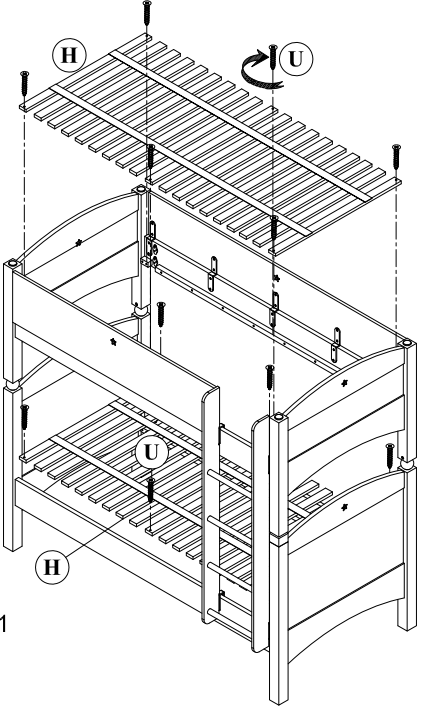


Option 1



Option 2

12



13

WARNING :Do not install in upper bed of bunk .

